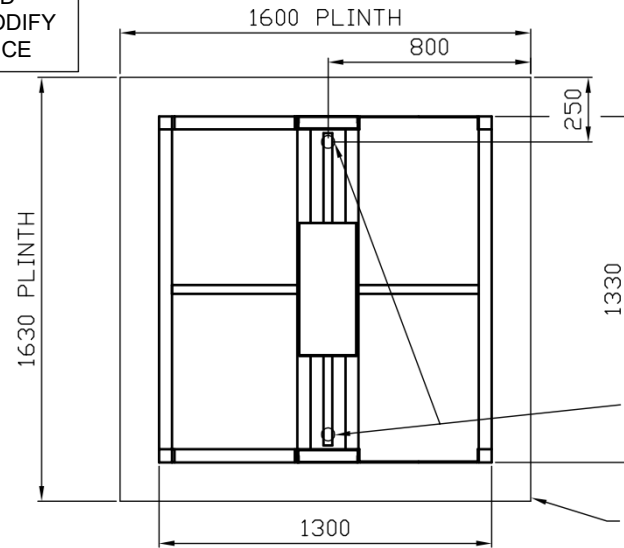


DRG No:
491C-202

EAGLE AUTOMATION LIMITED
RESERVE THE RIGHT TO MODIFY
THE DESIGN WITHOUT NOTICE

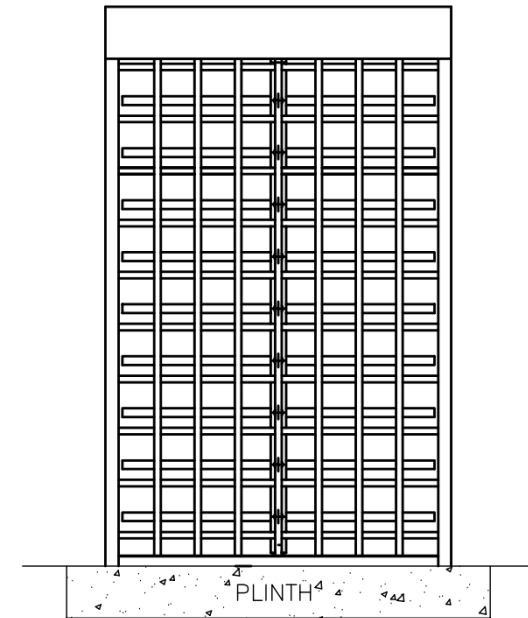
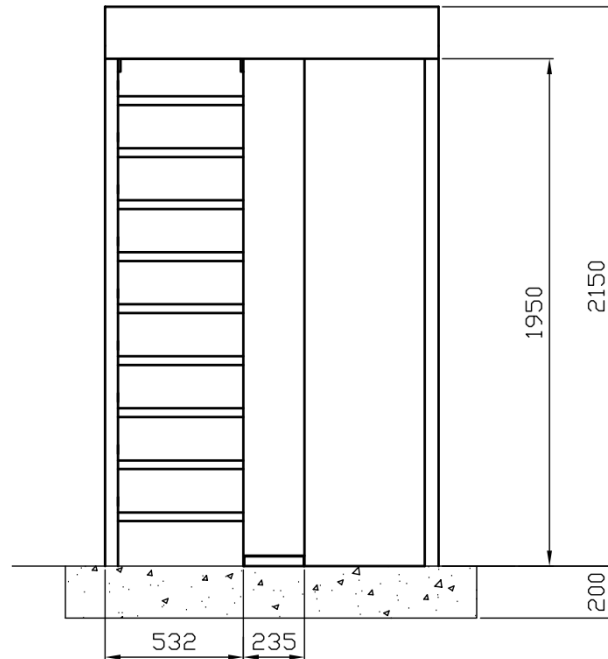
PLAN VIEW
(OMITTING CANOPY FOR CLARITY)



NOTE :-
NORMALLY THE POWER SUPPLY UNIT AND CONTROL BOARD
ENCLOSURE ARE CONTAINED WITHIN THE CANOPY.
CABLES TO THIS AREA (MAINS SWA AND SIGNAL CABLES)
ARE DUCTED THROUGH VERTICAL SECTIONS OF THE TURNSTILE.

APPROX. POSITION FOR
Ø50 DUCT EMERGENCE

CONCRETE PLINTH



SIDE ELEVATION

MATERIAL: MILD STEEL FINISH: POWDER COATED



ALL DIMENSIONS ARE IN mm.
DO NOT SCALE

SALES ILLUSTRATION
491 'SARUM' FULL HEIGHT
TURNSTILE (90° BARS)

DRG No:

491C-202

A	12.11.01	-
ISS	DATE	CHANGE NOTE No.
DRAWN	SIJ	