

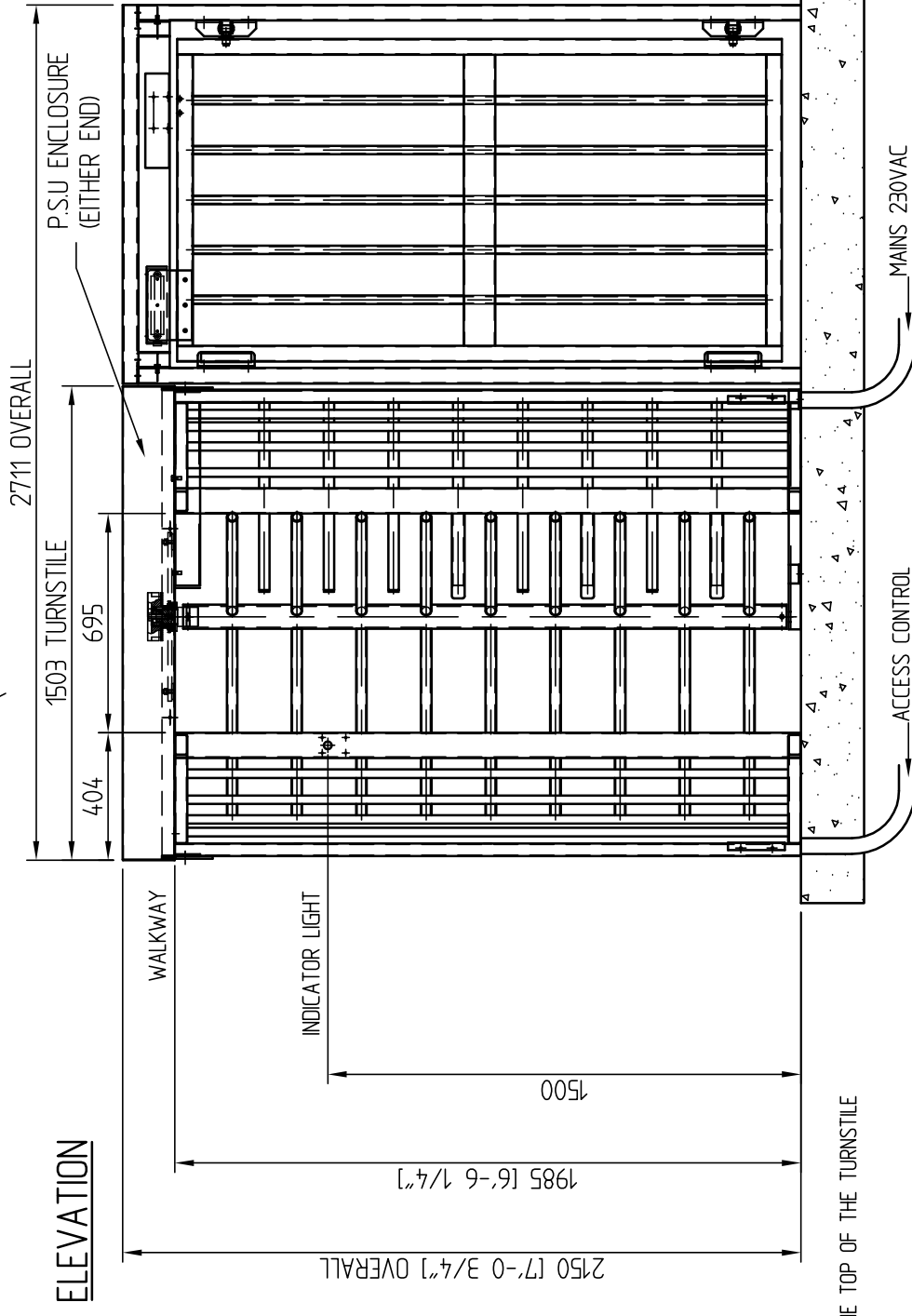
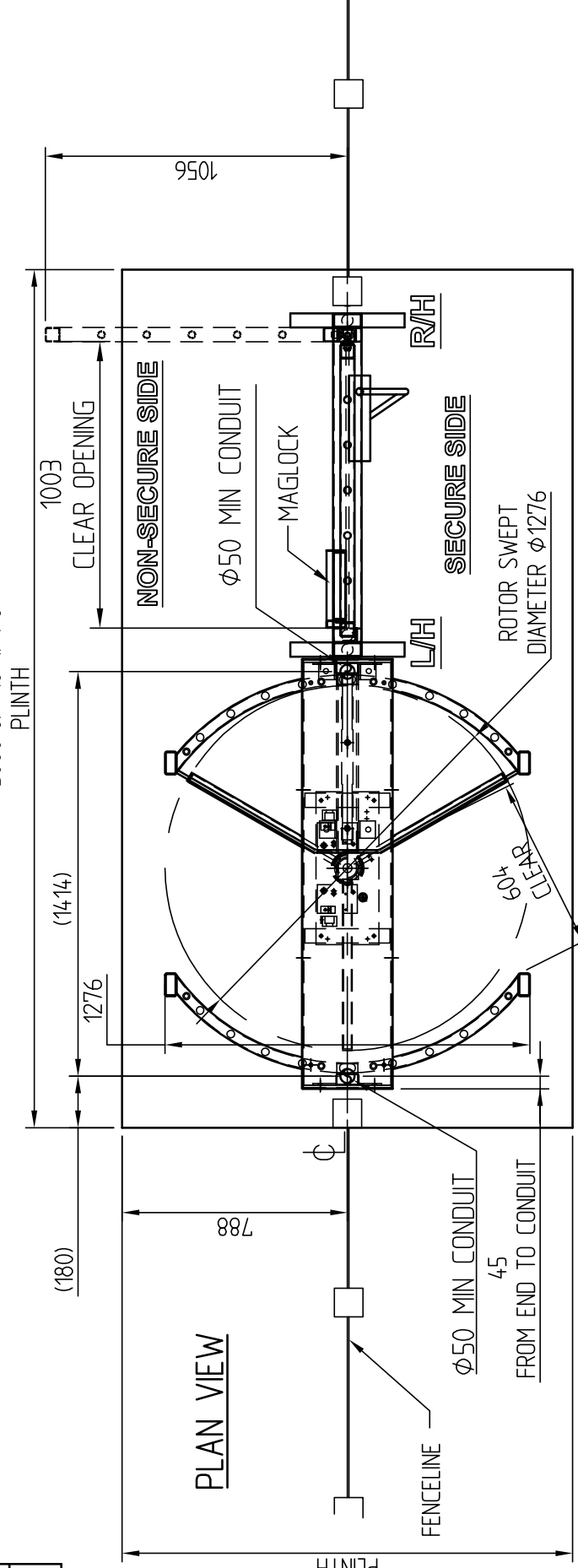
DRG.No.	480B-201
USED ON	-

EAGLE AUTOMATION LIMITED
RESERVES THE RIGHT TO CHANGE DETAILS WITHOUT PRIOR NOTICE.

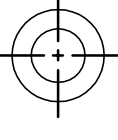
1575 (5'-2")
PLINTH

DRAWN TO BS. 8888

3000 (9'-10 1/4")
PLINTH

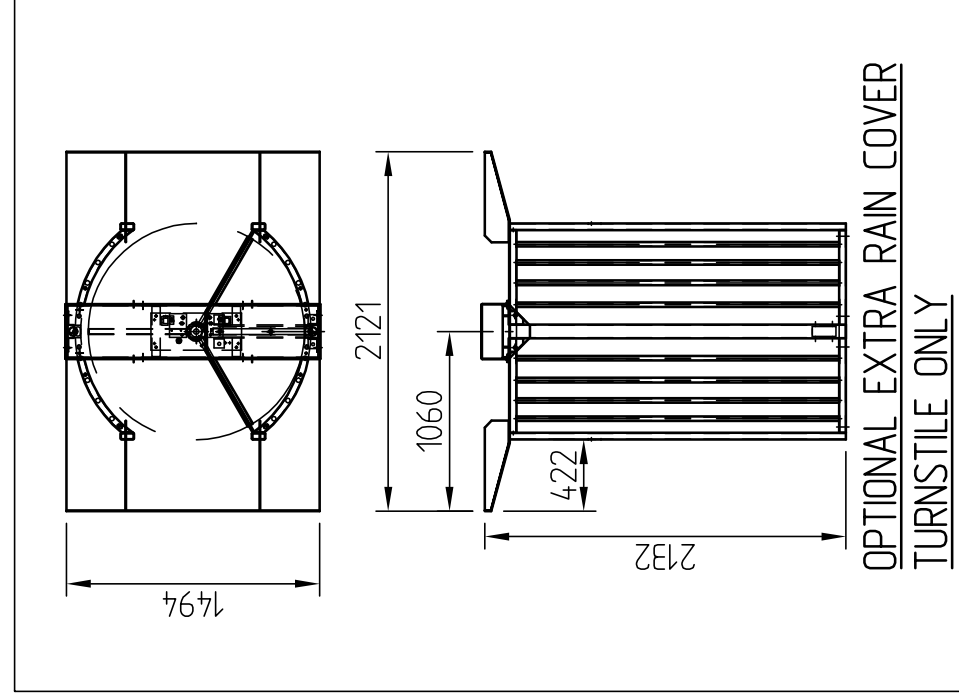
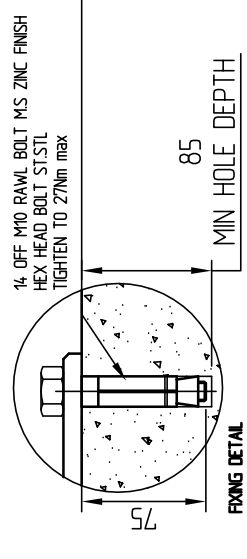


NOTE:
TURNSTILE SUPPLY VOLTAGE 230VAC 5AMP
(MAINS SUPPLY CONNECTION TO BE
TERMINATED IN THE 'DC PSU' LOCATED IN THE TOP OF THE TURNSTILE
ALLOW 35M OF CABLE ABOVE GROUND)



THIRD ANGLE PROJECTION
HANDING CONFIGURATION FOR GATE

QTY	AS DRAWN
R/H HINGED	✓
OUTWARD	✓
IN WARD	
L/H HINGED	



MATERIAL
STORES REF. -

PROTECTIVE FINISH
GALVANISED or POWDER COATED

TOLERANCES FOR DIMENSIONS	
DIMS. SHOWN THUS	>449 ±1
DIMS. SHOWN THUS	1. ±0.4
DIMS. SHOWN THUS	10 ±0.15
DIMS. SHOWN THUS	100 ±0.05
UNLESS OTHERWISE STATED ALL DIMENSIONS IN MILLIMETRES	

ISSUE	DATE	CHANGE NOTE	CERTD.	SCALE	N.T.S
B	06-01-10	RAIN SHIELD OPTION ADDED			
A	02-10-09	INITIAL ISSUE			
J.HARRIS	CHECKED				
TITLE 480B TURNSTILE WITH WALKWAY GUIDE STRAIGHT BAR, WITH 188A SWING GATE					
DRG.No. 480B-201					
A3					