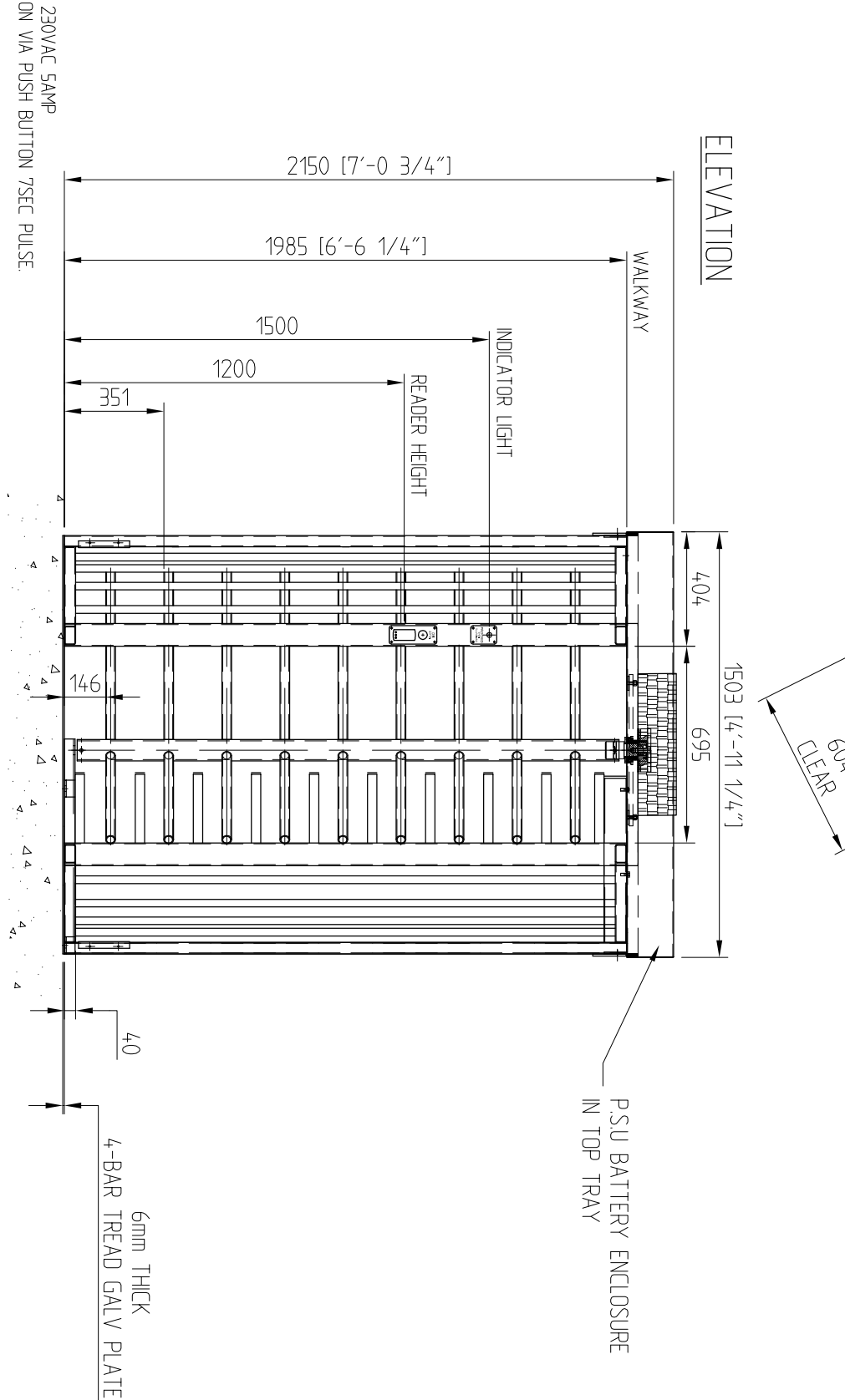
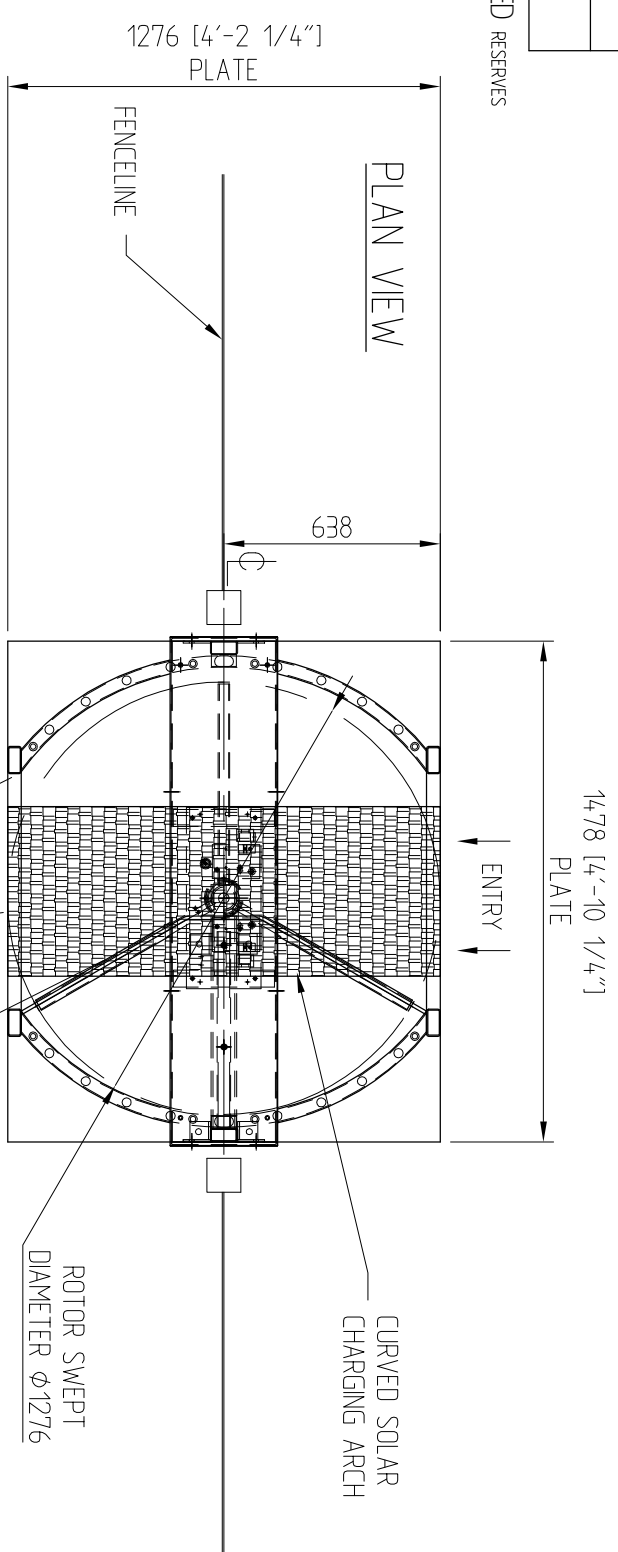


EAGLE AUTOMATION LIMITED RESERVES THE RIGHT TO CHANGE DETAILS WITHOUT PRIOR NOTICE.



NOTE:
TURNSTILE CHARGING VOLTAGE 230VAC 5AMP
BATTERY CONNECTION TURNED ON VIA PUSH BUTTON 7SEC PULSE.
CARD ACCESS ONLY.

ISSUE	DATE	CHANGE NOTE	CHECKED	CERTD.	SCALE	N.T.S
A	03.04.17	INITIAL ISSUE				
-	-					
RAWN	JHARRIS					

PROTECTIVE FINISH
POWDER COATED

TOLERANCES FOR DIMENSIONS

DIMS. SHOWN THUS $\times 449$ ± 1

DIMS. SHOWN THUS 1 ± 0.4

DIMS. SHOWN THUS 10 ± 0.15

DIMS. SHOWN THUS 100 ± 0.05

UNLESS OTHERWISE STATED

ALL DIMENSIONS IN MILLIMETRES

MATERIAL

STORES REF. -



TITLE

480B SOLAR TURNSTILE WITH WALKWAY GUIDE
(STRAIGHT BAR WITH TREAD PLATE)

DRG.No. 480B-200-SOLAR