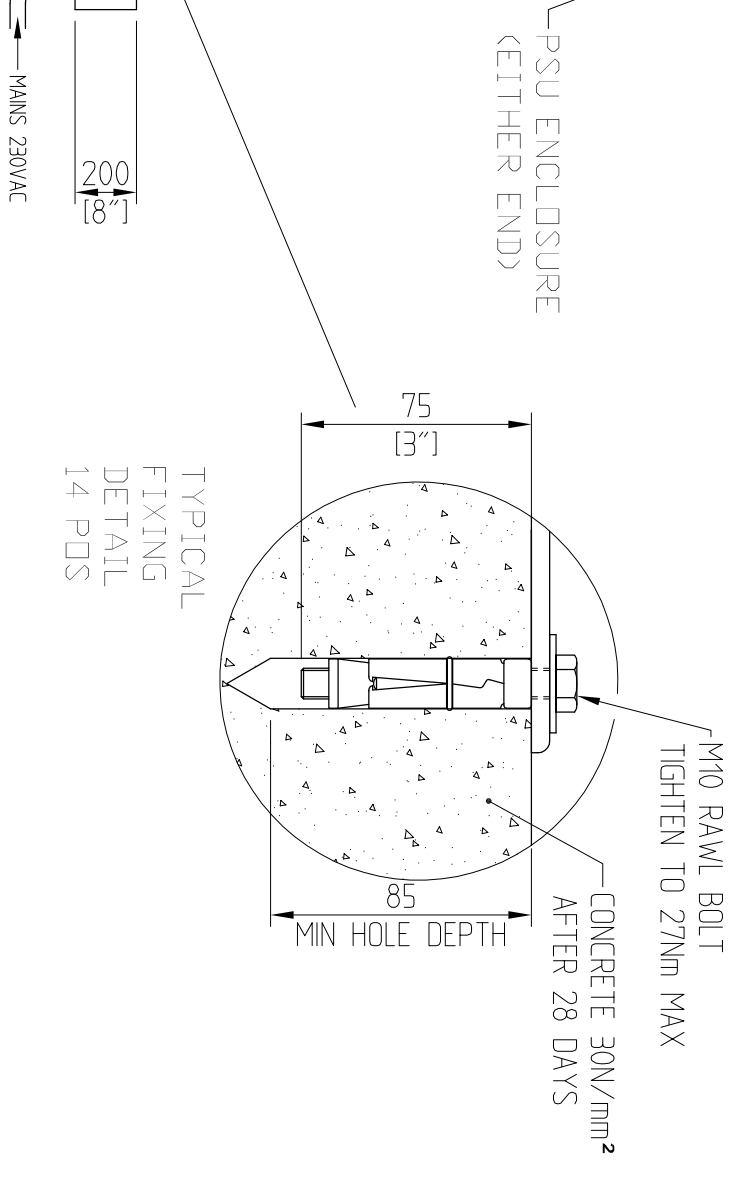
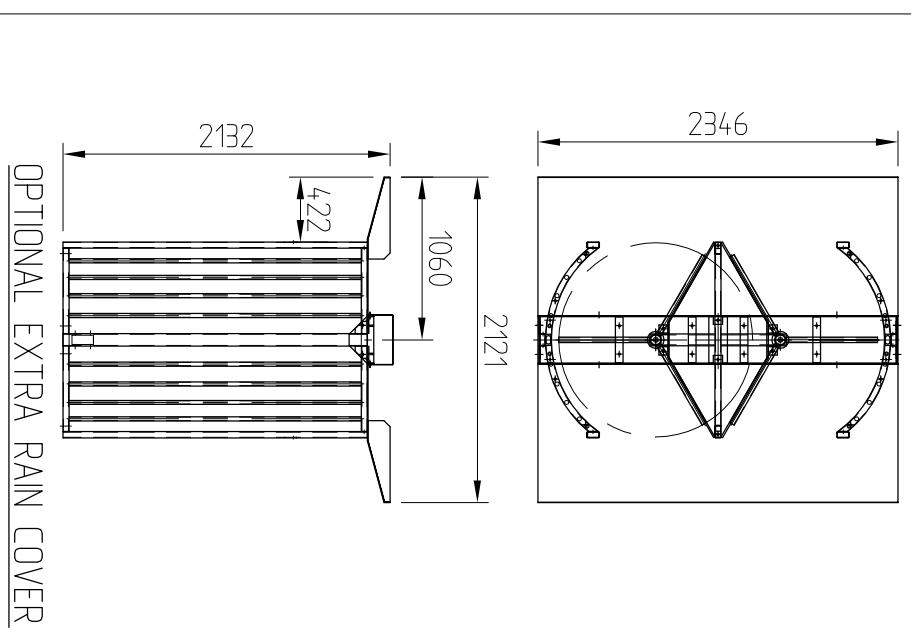
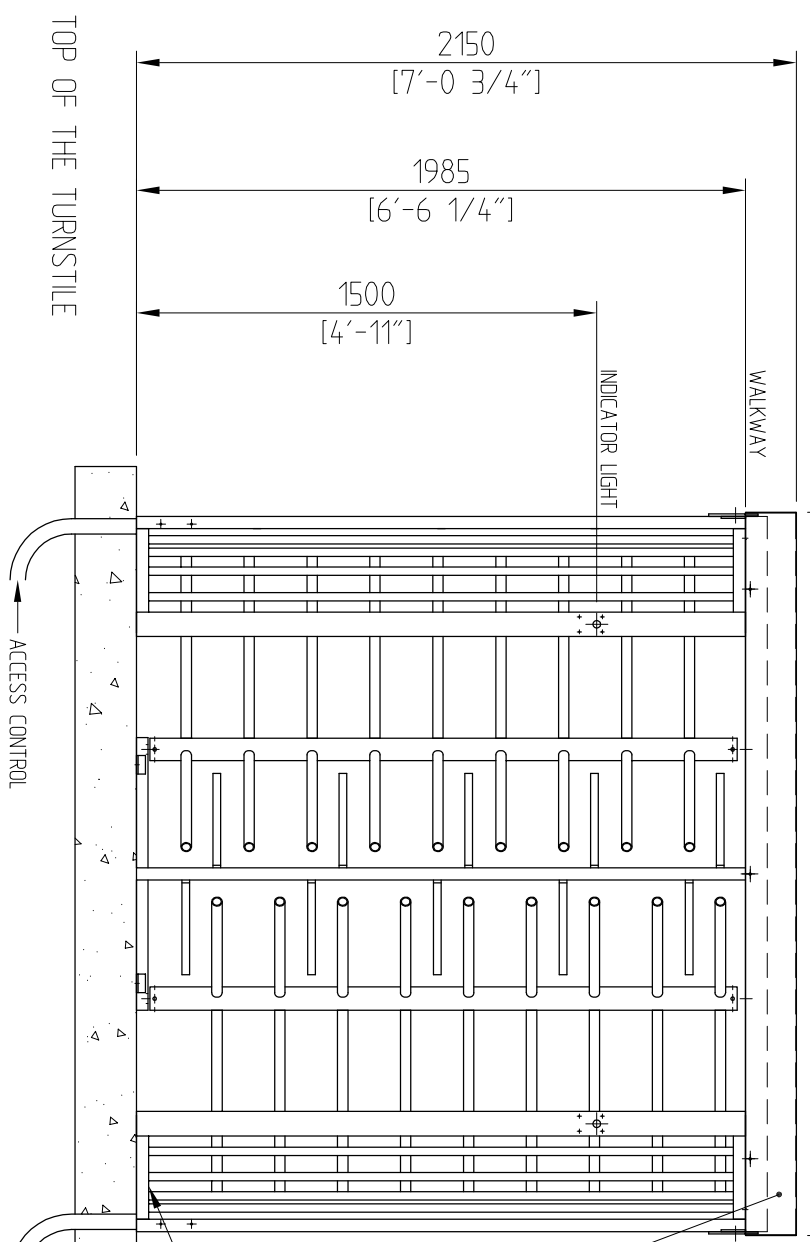


ELEVATION



NOTE:
TURNSTILE SUPPLY VOLTAGE 230VAC 5AMP
(MAINS SUPPLY CONNECTION TO BE
TERMINATED IN THE 'DC PSU' LOCATED IN THE TOP OF THE TURNSTILE
ALLOW 35M OF CABLE ABOVE GROUND)

ISSUE	DATE	CHANGE NOTE
A	06.11.06	-
B	01-05-09	TITLE CHANGED
C	09-12-09	OPTIONAL RAIN COVER ADDED

PROTECTIVE FINISH	-
TOLERANCES FOR DIMENSIONS	
DIMS. SHOWN THUS	≥449 ±1
DIMS. SHOWN THUS	1 ±0.4
DIMS. SHOWN THUS	10 ±0.15
DIMS. SHOWN THUS	100 ±0.05
UNLESS OTHERWISE STATED	
ALL DIMENSIONS IN MILLIMETRES	

MATERIAL	-
STORES REF.	-
TITLE	FENCELINE ECONOMY DOUBLE TURNSTILE 120° STRAIGHT BAR ROTOR



DRG.No.	480A-209
A3	