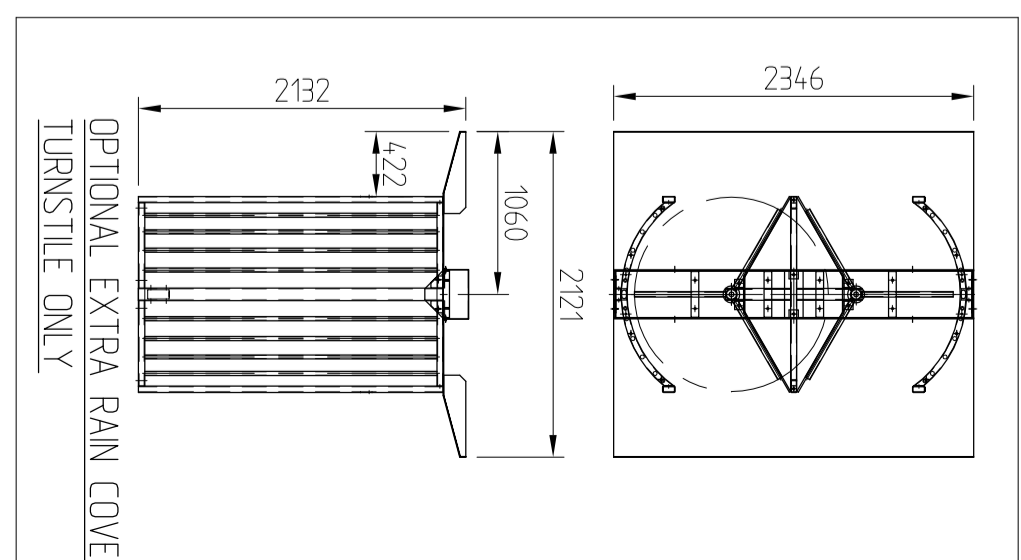
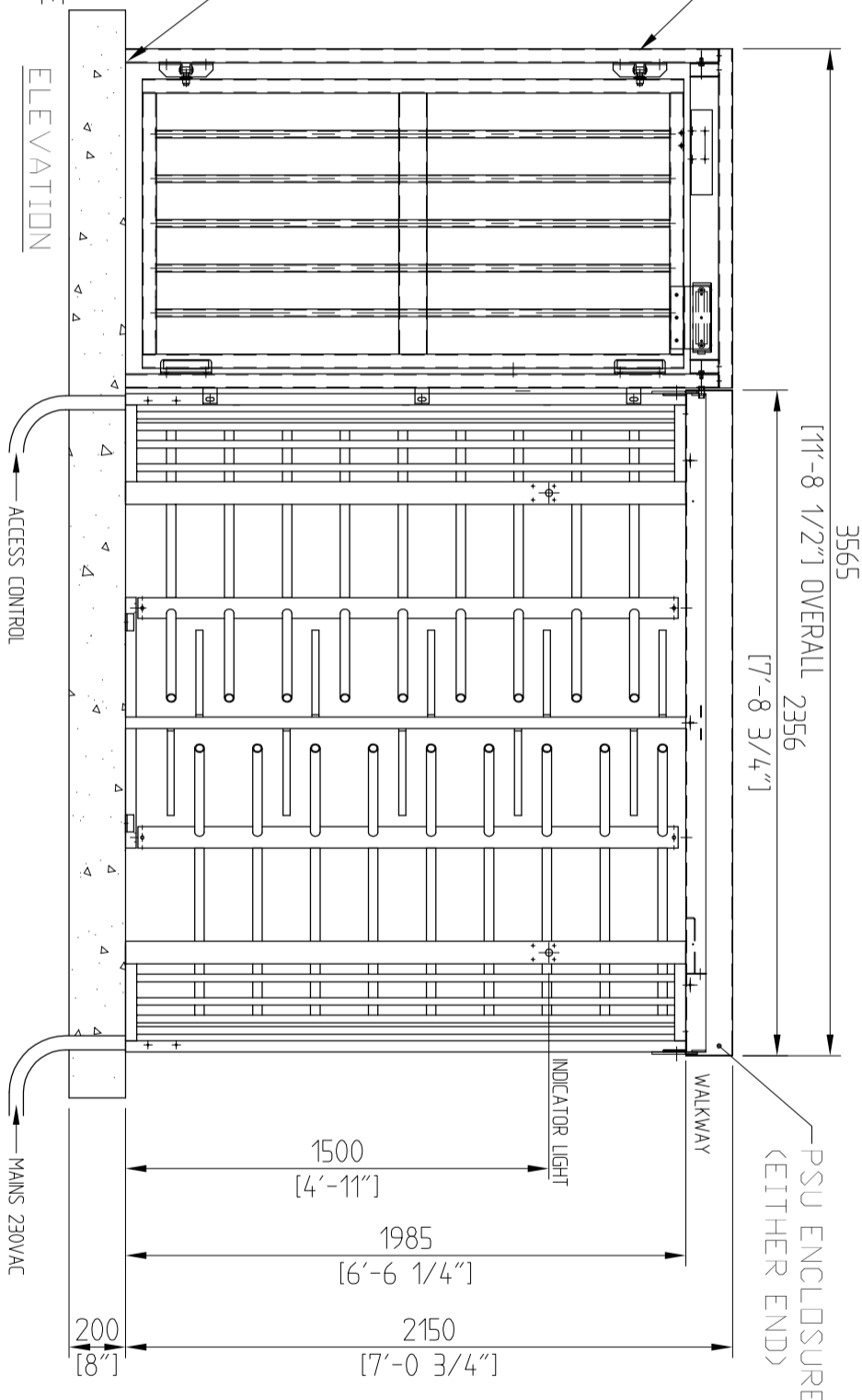
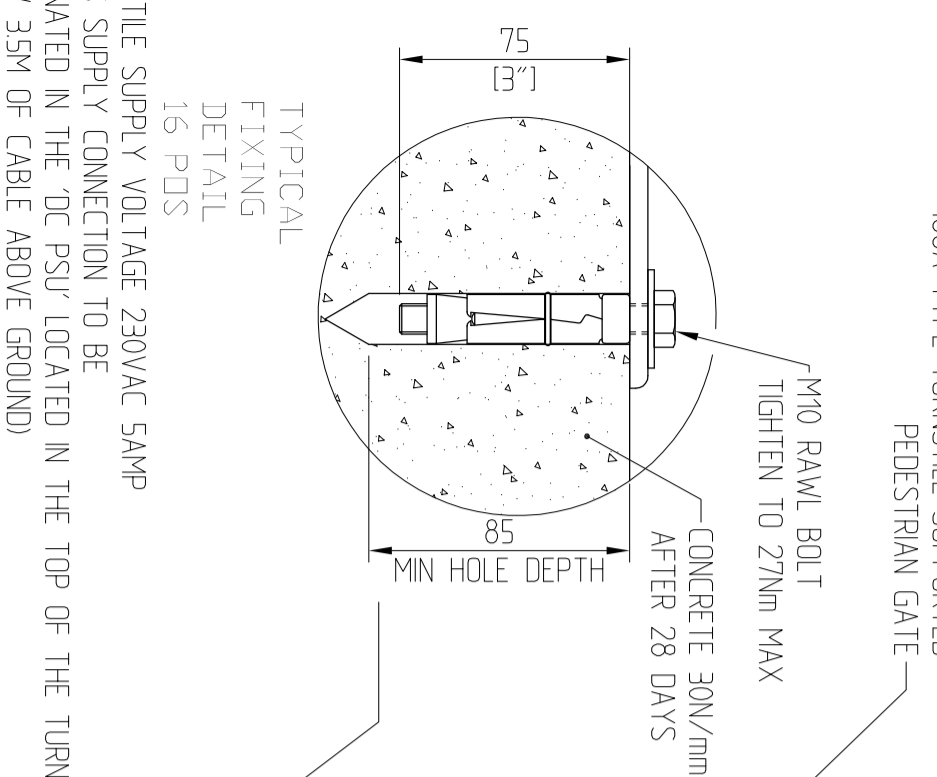
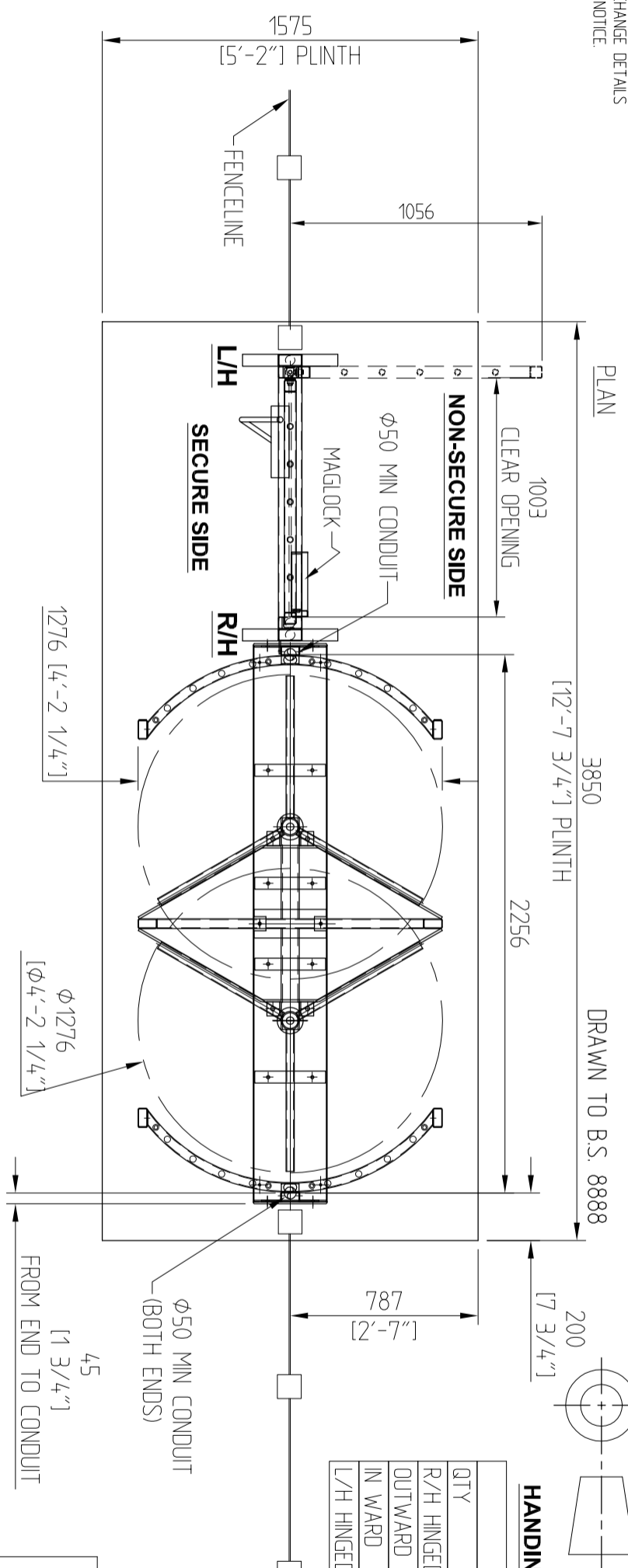


USED ON -

HANDLING CONFIGURATION FOR GATE

QTY	AS DRAWN
R/H HINGED OUTWARD	✓
L/H HINGED IN WARD	✓



NOTE:  
TURNSTILE SUPPLY VOLTAGE 230VAC 5AMP  
(MANS SUPPLY CONNECTION TO BE  
TERMINATED IN THE 'DC PSU' LOCATED IN THE TOP OF THE TURNSTILE  
ALLOW 35M OF CABLE ABOVE GROUND)

ISSUE	DATE	CHANGE NOTE
A	07/10/06	-
B	01-05-09	TITLE CHANGED
C	02-10-09	GATE CHANGED TO 188A-200
D	06-01-10	RAIN SHIELD OPTION ADDED

PROTECTIVE FINISH	TOLERANCES FOR DIMENSIONS
-	DIMS. SHOWN THUS $\pm 4.9$ $\pm 1$
-	DIMS. SHOWN THUS 1 $\pm 0.4$
-	DIMS. SHOWN THUS 10 $\pm 0.15$
-	DIMS. SHOWN THUS 100 $\pm 0.05$
-	UNLESS OTHERWISE STATED
-	ALL DIMENSIONS IN MILLIMETRES

TITLE  
FENCELINE ECONOMY DOUBLE TURNSTILE  
120° STRAIGHT BAR ROTOR  
WITH PEDESTRIAN GATE

DRG.No. 480A-204



Eagle Automation Systems Ltd  
Focused on Protection and Security