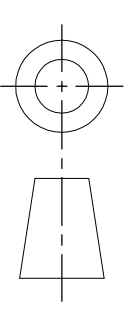


1530 PLINTH

DRAWN TO B.S. 8888

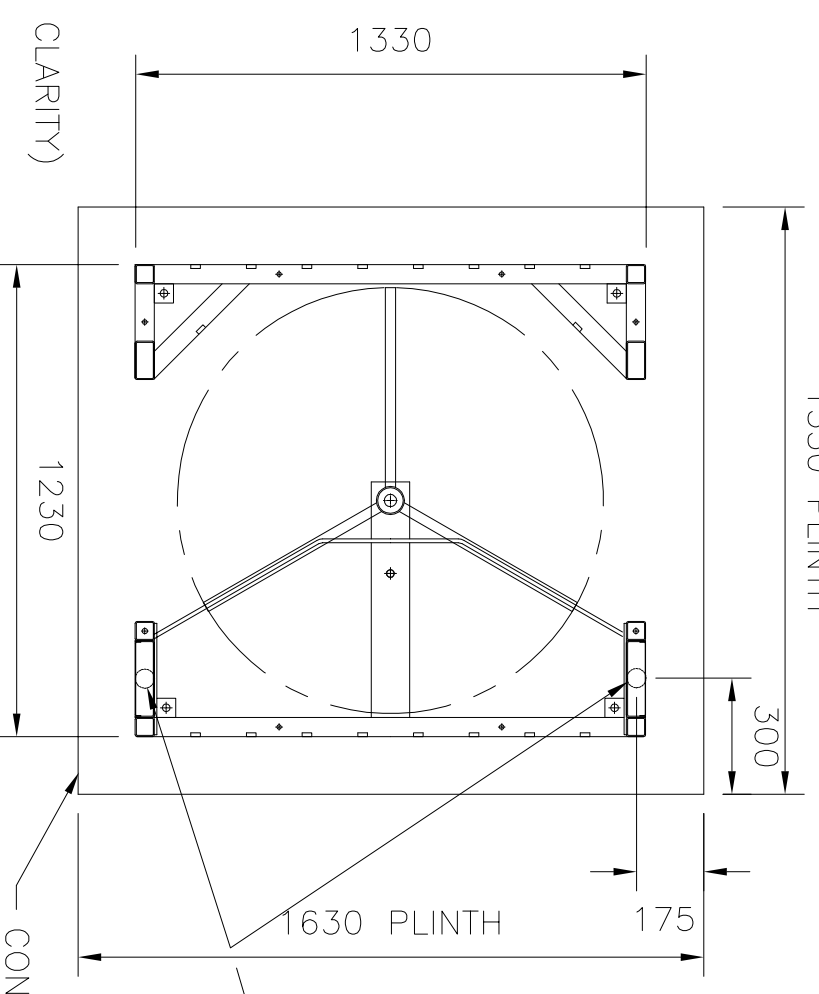


THIRD ANGLE PROJECTION

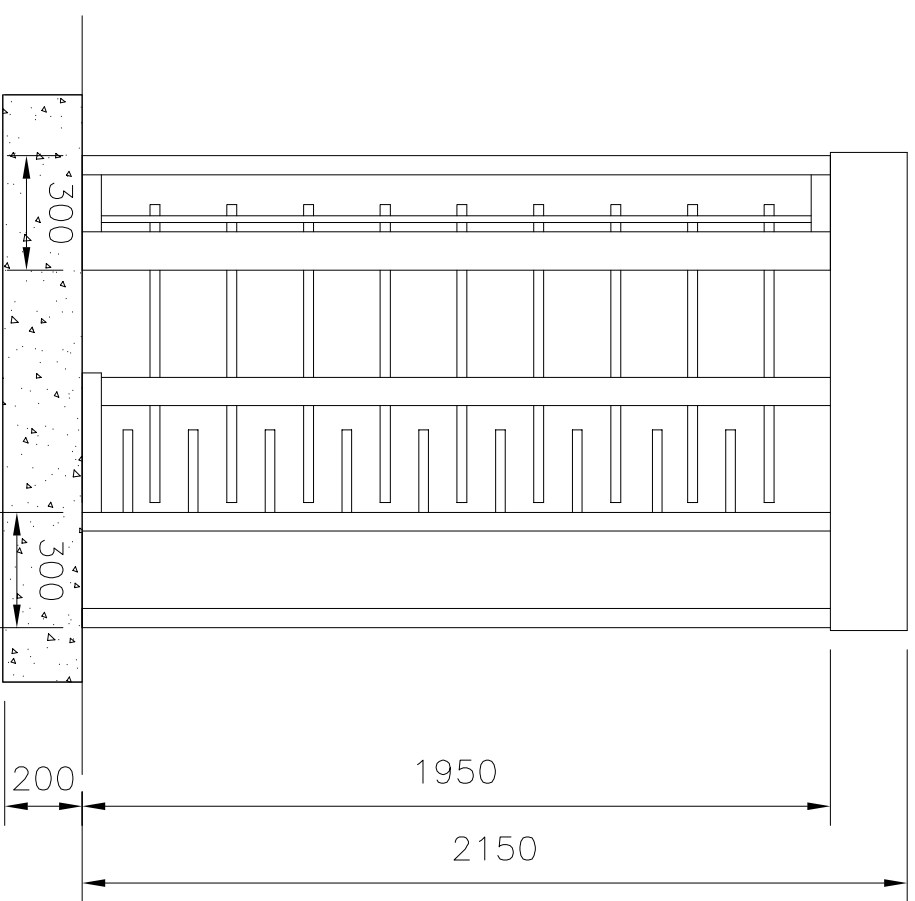
NOTE :-
 NORMALLY THE POWER SUPPLY UNIT AND CONTROL BOARD ENCLOSURE ARE CONTAINED WITHIN THE CANOPY. CABLES TO THIS AREA (MAINS SWA AND SIGNAL CABLES) ARE DUCTED THROUGH VERTICAL SECTIONS OF THE TURNSTILE.

EAGLE AUTOMATION LIMITED
 RESERVE THE RIGHT TO MODIFY THE DESIGN WITHOUT NOTICE

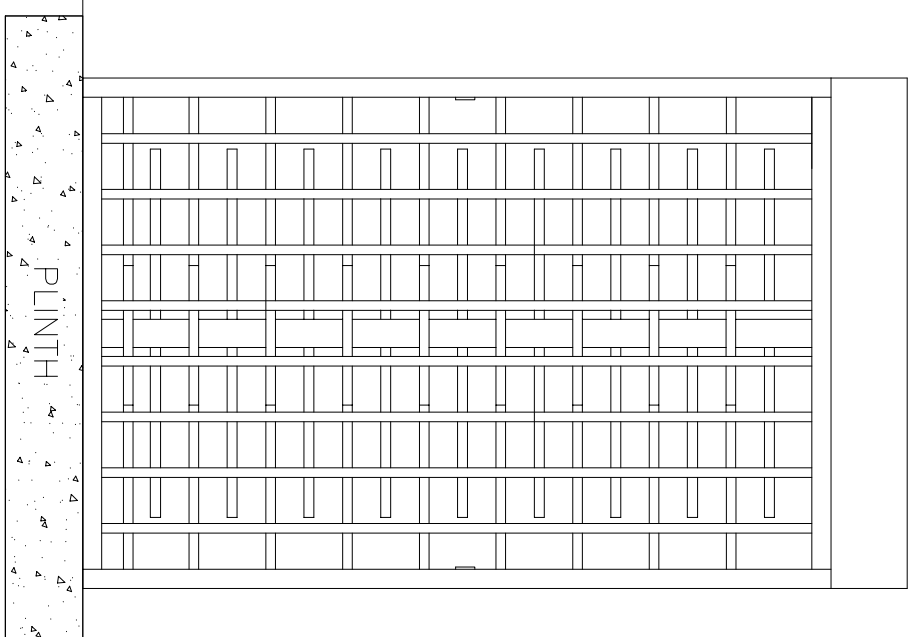
PLAN VIEW
 (OMITTING CANOPY FOR CLARITY)



FRONT ELEVATION



SIDE ELEVATION



PROTECTIVE FINISH POWDER COATED OR POLISHED (NOTED)		MATERIAL MILD STEEL OR ST. STL.	
TOLERANCES FOR DIMENSIONS		STORES REF.	
DIMS. SHOWN THUS	±0.4	SALES ILLUSTRATION OF 'SALISBURY' SINGLE TURNSTILE (120° WITH STRAIGHT BARS)	
DIMS. SHOWN THUS	±1		
DIMS. SHOWN THUS	±0.15		
DIMS. SHOWN THUS	±0.05		
UNLESS OTHERWISE STATED		TITLE	
ALL DIMENSIONS IN MILLIMETRES		SALES ILLUSTRATION OF 'SALISBURY' SINGLE TURNSTILE (120° WITH STRAIGHT BARS)	
CHECKED	CERTD.	SCALE	1:20
RAWN	CJV	DATE	6-2-98
ISSUE	DATE	CHANGE NOTE	-
B	6-2-98	-	-

