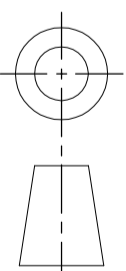


PLAN VIEW
(OMITTING CANOPY FOR CLARITY)

DRAWN TO B.S. 8888



THIRD ANGLE PROJECTION

EAGLE AUTOMATION LIMITED
RESERVE THE RIGHT TO MODIFY
THE DESIGN WITHOUT NOTICE

DESIGN RIGHTS

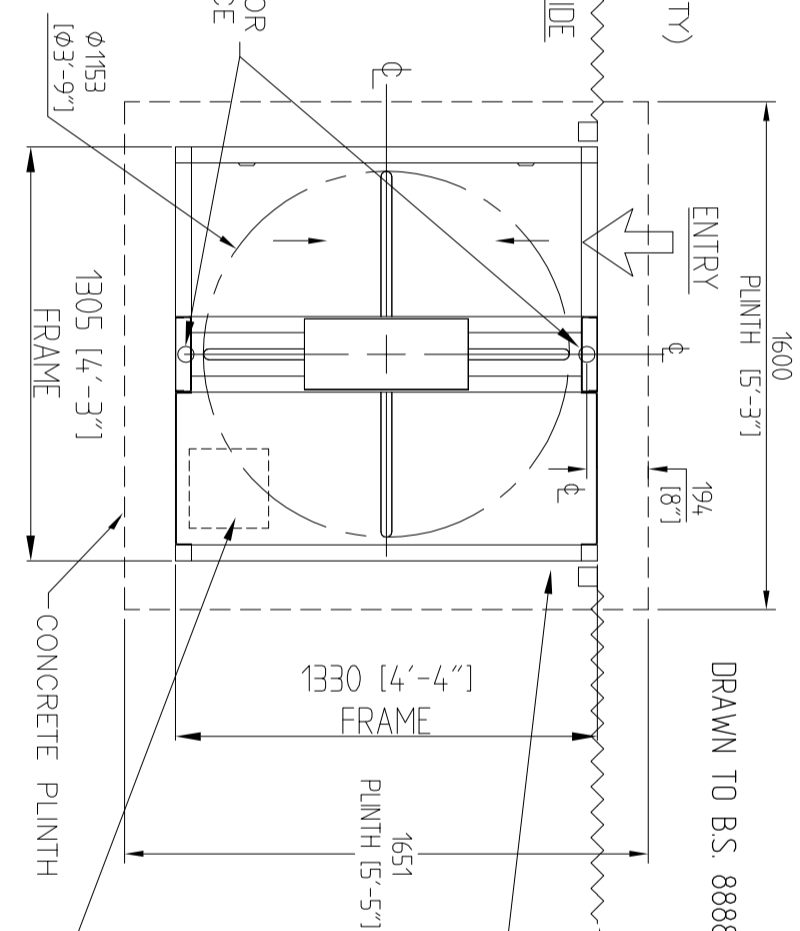
INTELLECTUAL PROPERTY OF EAGLE AUTOMATION SYSTEMS LIMITED
COPYRIGHT © NOT TO BE COPIED WITHOUT PERMISSION

WARNING - SOME CIL PRODUCTS ARE ALSO THE
SUBJECT OF PATENT PROTECTION

THE TURNSTILE MUST BE CONFIGURED

- ENSURING THE CONTROL ENCLOSURE IS FITTED TO A LOCATION SHOWN ON 'SECURE SIDE ONLY'
- ENSURING THE 'FAIL LOCKED' MODE IS ONLY BUILT IN BOTH TRAVEL DIRECTIONS
- ENSURE NOT CONFIGURED IN THE EMERGENCY 'FIRE ALARM' EGRESS MODE
- ENSURE NOT CONFIGURED TO FREE SPIN ONE OR BOTH WAYS
- ENSURE NO PUSH BUTTON FOR ENTRY OR EXIT EGRESS IS FIT TO THE TURNSTILE FRAMING

APPROX. POSITION FOR
Ø50 DUCT EMERGENCE

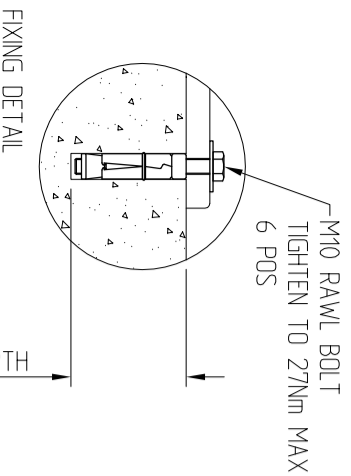
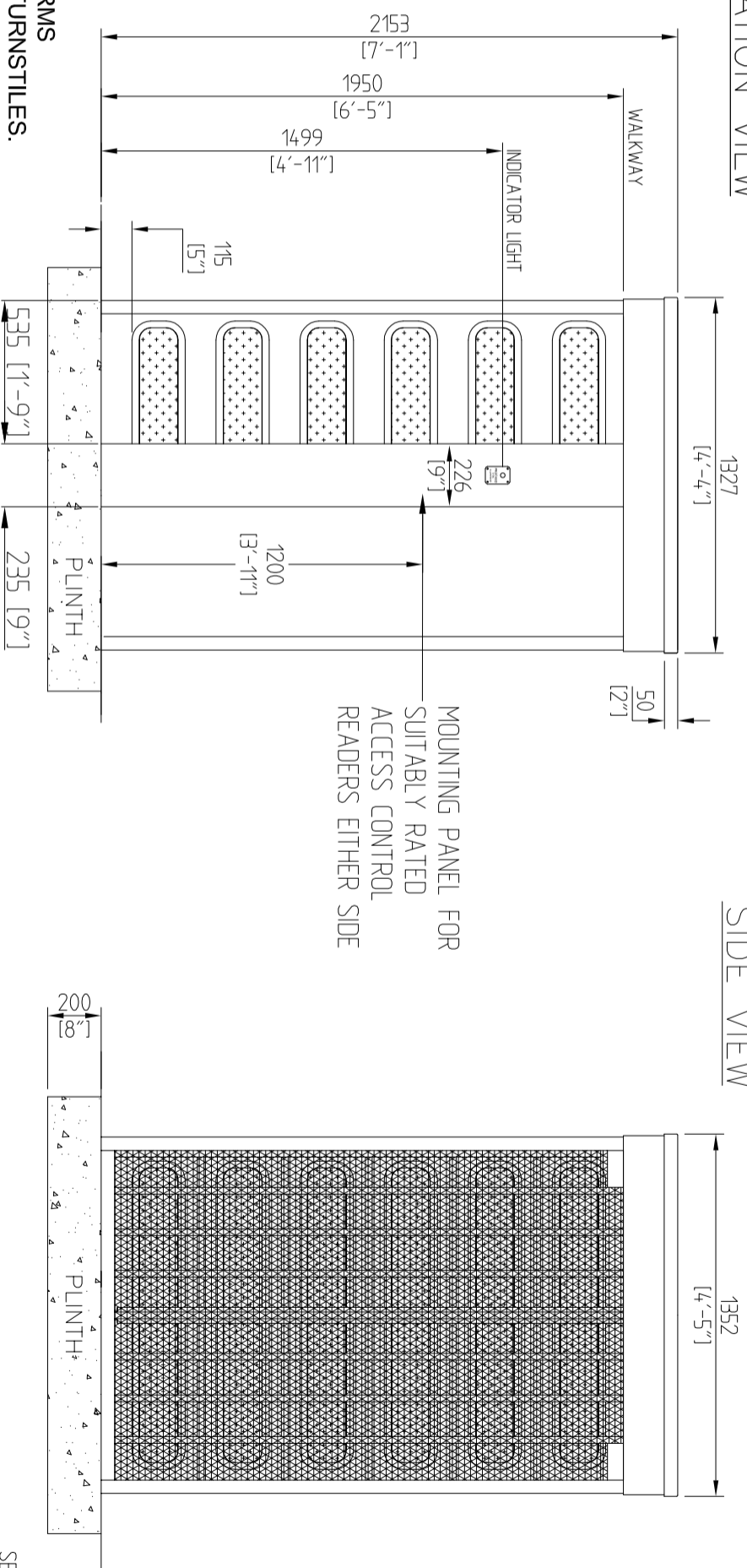


TURNSTILE SECURED BEHIND FENCE
ENSURE MINIMAL GAPS BETWEEN FRONT OF TURNSTILE AND INSIDE
OF FENCE. ALLOWING FOR THE TURNSTILE TOP LID ACCESS

NOTE -
NORMALLY THE POWER SUPPLY UNIT AND CONTROL BOARD
ENCLOSURE ARE CONTAINED WITHIN THE CANOPY.
CABLES TO THIS AREA (MAINS SWA AND SIGNAL CABLES)
ARE DUCTED THROUGH VERTICAL SECTIONS OF THE TURNSTILE.

ELEVATION VIEW

SIDE VIEW



NOTE:
THIS DESIGN LAYOUT HAS 115mm TIGHT GAPS BETWEEN ROTOR ARMS
AND IS BASED ON THE REQUIREMENTS FOR SECURITY FENCELINE TURNSTILES.
THESE REQUIREMENTS WERE **TESTED AND APPROVED FOR GOVERNMENT USE.**

SELECTED HIDDEN DETAIL
OMITTED FOR CLARITY

PROTECTIVE FINISH

MATERIAL

TOLERANCES FOR DIMENSIONS

STORES REF. BASED ON 430-200



TITLE 'WYLYE ADVANCED'

DRG.No.

430 SINGLE FULL HEIGHT SECURITY TURNSTILE

430A-200

A3

ISSUE	DATE	CHANGE NOTE	CERTD.	SCALE	N.T.S
1	21/1/16	PRODUCTION ISSUE			
BRAWN	MDK	CHECKED			

DIMS. SHOWN THUS	>449	±1
DIMS. SHOWN THUS	1	±0.4
DIMS. SHOWN THUS	10	±0.15
DIMS. SHOWN THUS	100	±0.05
UNLESS OTHERWISE STATED		
ALL DIMENSIONS IN MILLIMETRES		

DRG.No.	430A-200
---------	----------