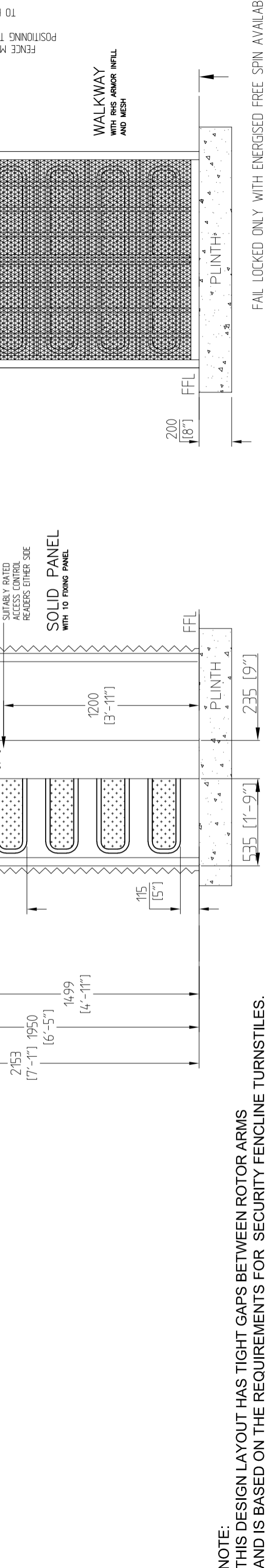
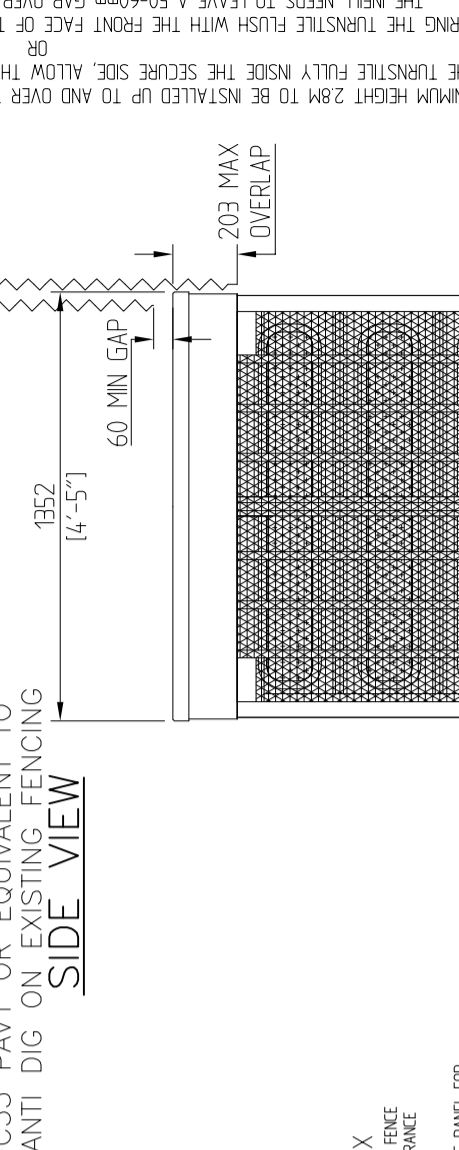
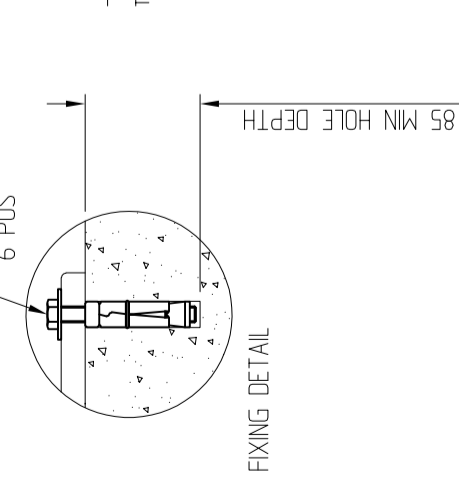
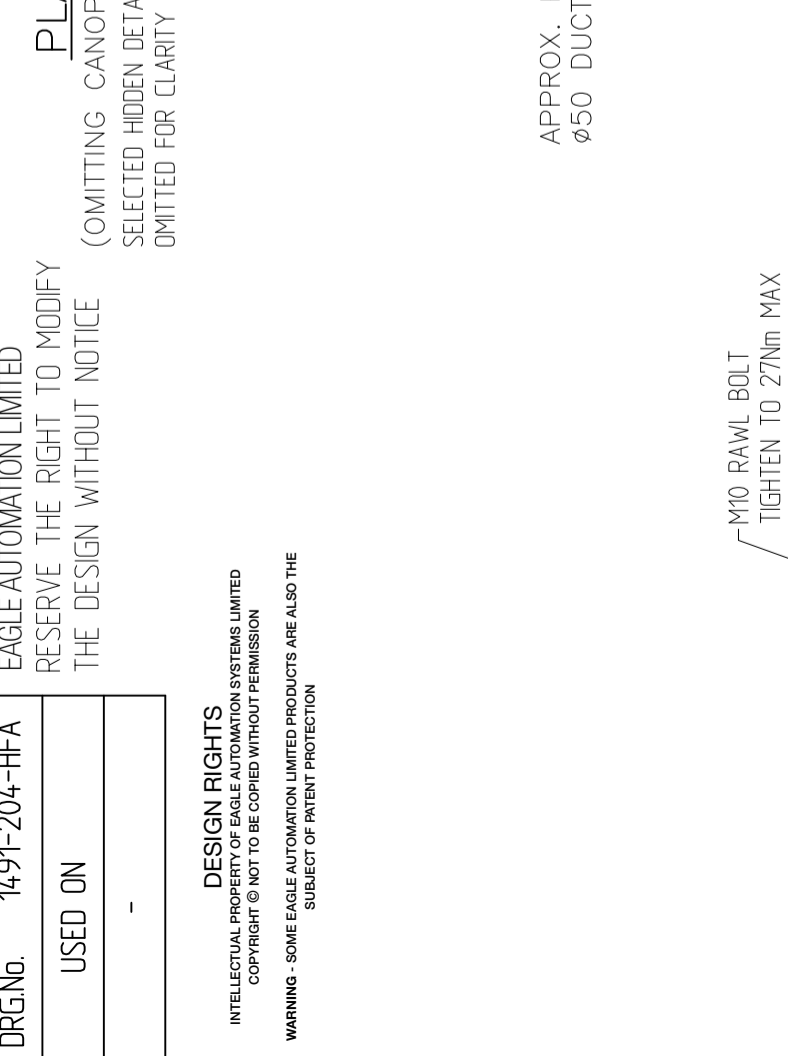
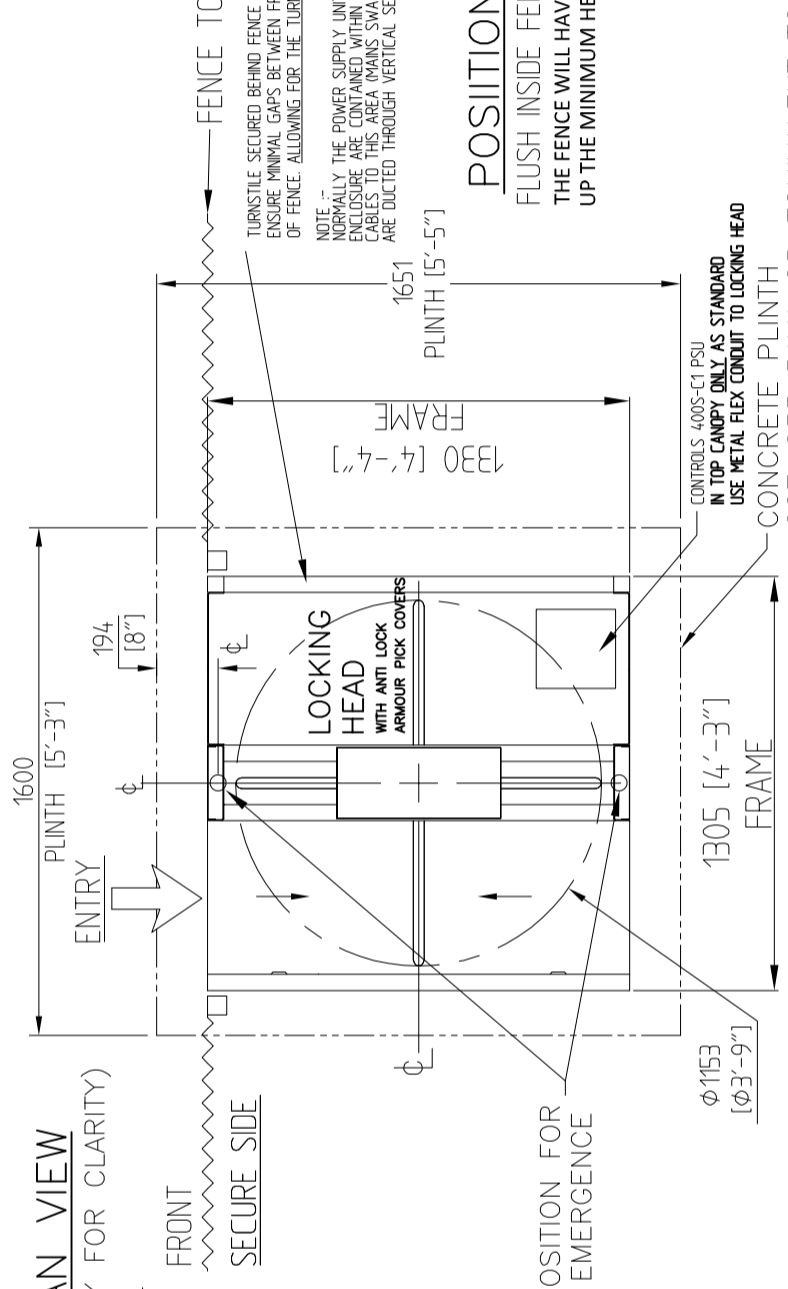
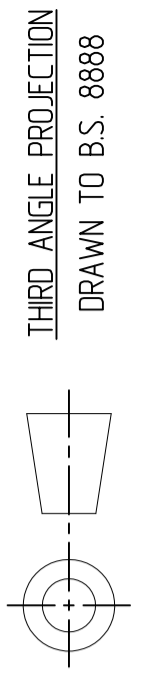


DRG.No. 1491-204-HFA
 USED ON
 -

EAGLE AUTOMATION LIMITED
 RESERVE THE RIGHT TO MODIFY
 THE DESIGN WITHOUT NOTICE
 (OMITTING CANOPY FOR CLARITY)
 SELECTED HIDDEN DETAIL
 OMITTED FOR CLARITY

THIRD ANGLE PROJECTION
 DRAWN TO B.S. 8888

DESIGN RIGHTS
 INTELLECTUAL PROPERTY OF EAGLE AUTOMATION SYSTEMS LIMITED
 COPYRIGHT © NOT TO BE COPIED WITHOUT PERMISSION
 WARNING - SOME EAGLE AUTOMATION LIMITED PRODUCTS ARE ALSO THE
 SUBJECT OF PATENT PROTECTION



NOTE:
 THIS DESIGN LAYOUT HAS TIGHT GAPS BETWEEN ROTOR ARMS
 AND IS BASED ON THE REQUIREMENTS FOR SECURITY FENCELINE TURNSTILES.

FENCE MINIMUM HEIGHT 2.8M TO BE INSTALLED UP TO AND OVER THE TURNSTILE TO ACHIEVE SECURITY RATING SR4 ONLY.
 POSITIONING THE TURNSTILE FULLY INSIDE THE SECURE SIDE, ALLOW THE FENCE OVER INFILL TO BE DOWN TO THE WALKWAY HEIGHT
 OR
 TO BRING THE TURNSTILE FLUSH WITH THE FRONT FACE OF THE FENCING, ALLOWING FLUSH THROUGH THE FENCE
 THE INFILL NEEDS TO LEAVE A 50-60mm GAP OVER THE TOP LID ENSURING FOR ITS REMOVAL.

MATERIAL		Eagle Automation Systems Ltd Focused on Protection and Security	
PROTECTIVE FINISH		STORES REF. BASED ON 491 - 430 STYLES	
TOLERANCES FOR DIMENSIONS		TITLE	
DIMS. SHOWN THUS	>449 ±1	SINGLE FULL HEIGHT SECURITY TURNSTILE	
DIMS. SHOWN THUS	1 ±0.4	SR4	
DIMS. SHOWN THUS	10 ±0.15	SINGLE FULL HEIGHT SECURITY T/S WITH 'HOOPED-D-BAR FILLED ARMOR' ROTOR PADDLES	
DIMS. SHOWN THUS	100 ±0.05	FAIL LOCKED ONLY WITH ENERGISED FREE SPIN AVAILABLE	
UNLESS OTHERWISE STATED		DRG.No.	
ALL DIMENSIONS IN MILLIMETRES		1491-204-HFA	
DRAWN	MDK	CHECKED	CERTO.
SCALE	N.T.S	A3	