

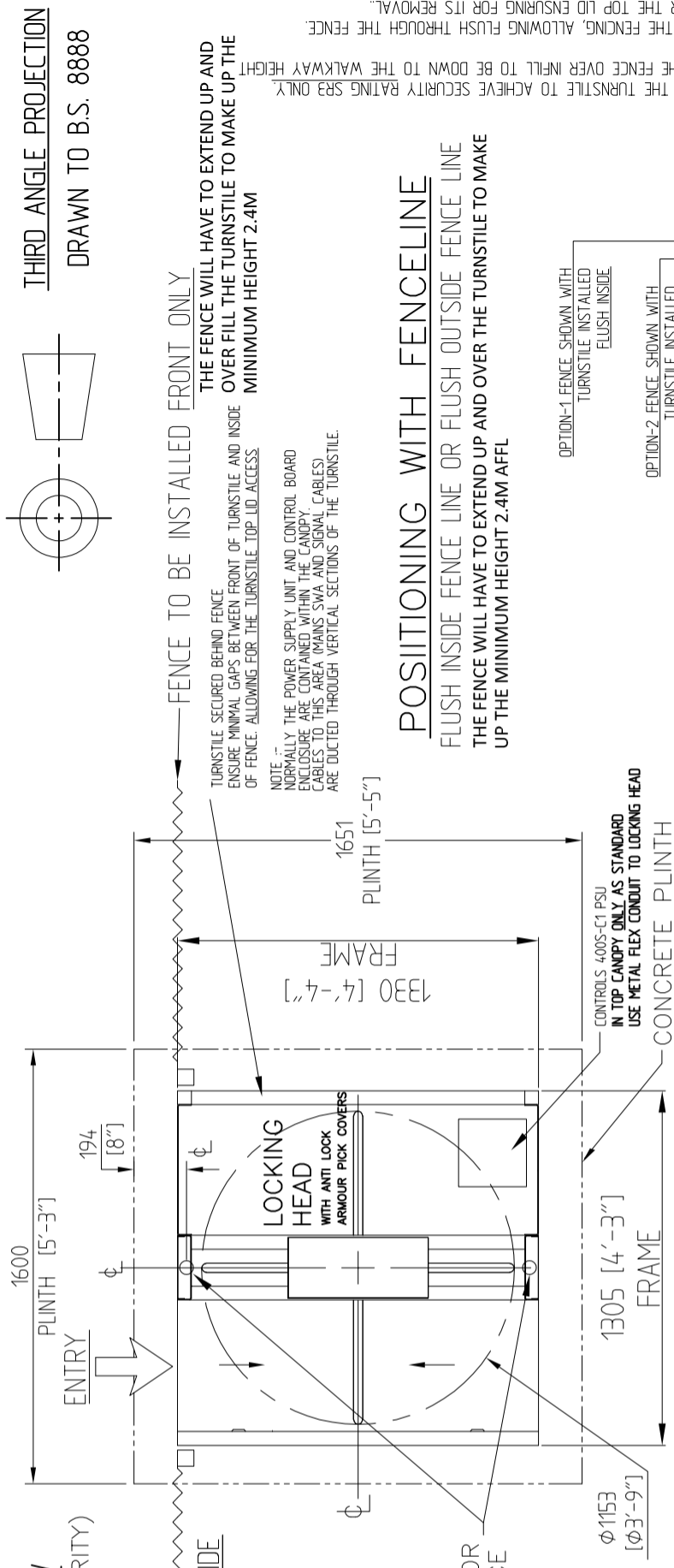
DRG.No. 1491-203-HFA
 USED ON
 -

EAGLE AUTOMATION LIMITED
 RESERVE THE RIGHT TO MODIFY
 THE DESIGN WITHOUT NOTICE
 (OMITTING CANOPY FOR CLARITY)
 SELECTED HIDDEN DETAIL
 OMITTED FOR CLARITY

PLAN VIEW
 FRONT
 SECURE SIDE

THIRD ANGLE PROJECTION
 DRAWN TO B.S. 8888

DESIGN RIGHTS
 INTELLECTUAL PROPERTY OF EAGLE AUTOMATION SYSTEMS LIMITED
 COPYRIGHT © NOT TO BE COPIED WITHOUT PERMISSION
 WARNING - SOME EAGLE AUTOMATION LIMITED PRODUCTS ARE ALSO THE
 SUBJECT OF PATENT PROTECTION



FENCE TO BE INSTALLED FRONT ONLY
 THE FENCE WILL HAVE TO EXTEND UP AND OVER FILL THE TURNSTILE TO MAKE UP THE MINIMUM HEIGHT 2.4M

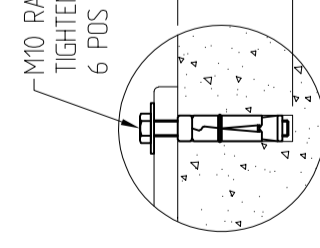
TURNSTILE SECURED BEHIND FENCE
 ENSURE MINIMAL GAPS BETWEEN FRONT OF TURNSTILE AND INSIDE OF FENCE, ALLOWING FOR THE TURNSTILE TOP LID ACCESS

NOTE - NORMALLY THE POWER SUPPLY UNIT AND CONTROL BOARD ENCLOSURE ARE CONTAINED WITHIN THE CANOPY. CABLES TO THIS AREA (MANS SWIA AND SIGNAL CABLES) ARE DUCTED THROUGH VERTICAL SECTIONS OF THE TURNSTILE.

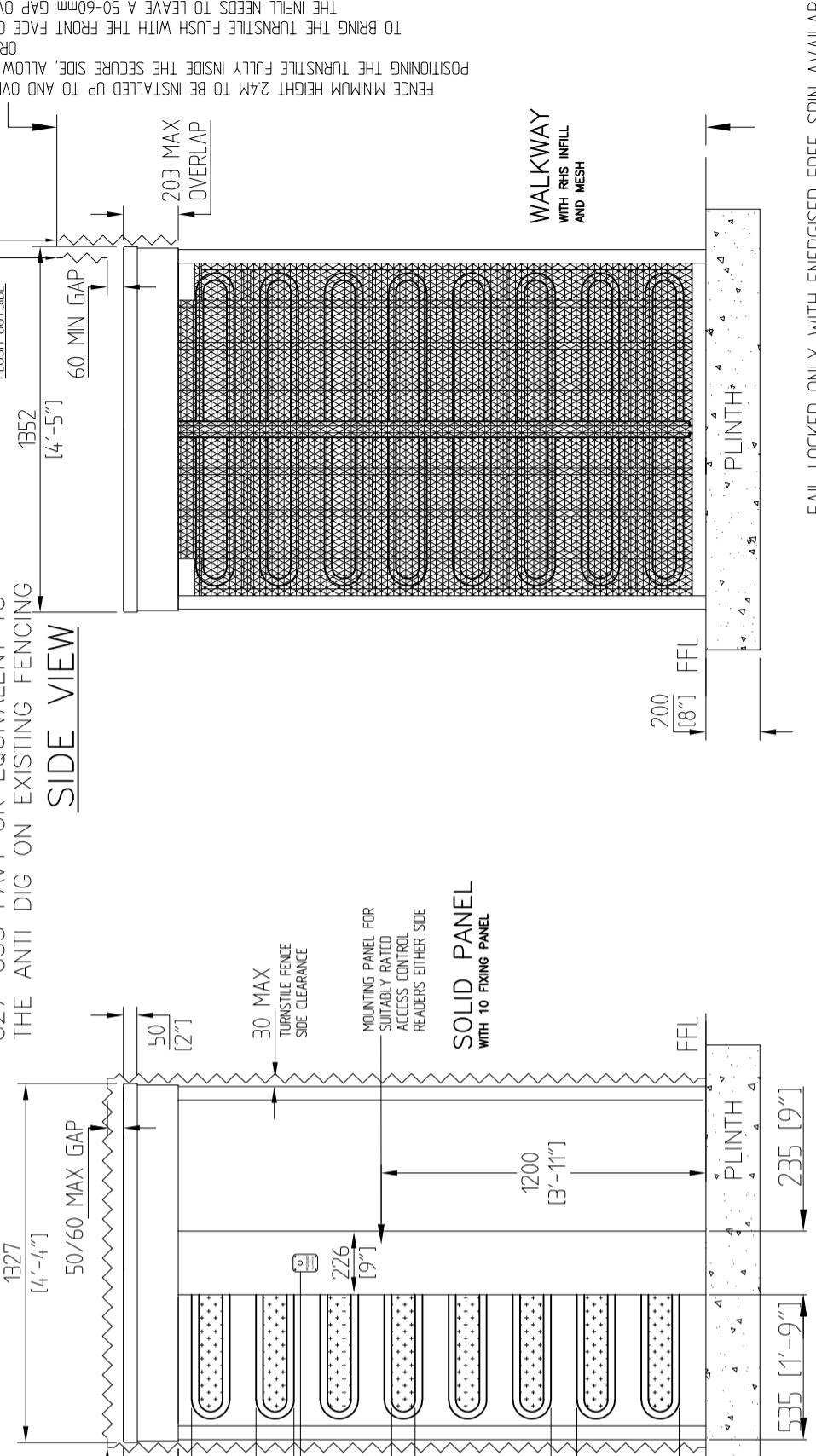
POSITIONING WITH FENCELINE
 FLUSH INSIDE FENCE LINE OR FLUSH OUTSIDE FENCE LINE
 THE FENCE WILL HAVE TO EXTEND UP AND OVER THE TURNSTILE TO MAKE UP THE MINIMUM HEIGHT 2.4M AFFL

APPROX. POSITION FOR Ø50 DUCT EMERGENCE

OR
 TO BRING THE INFILL FLUSH WITH THE FRONT FACE OF THE FENCING, ALLOWING FOR ITS REMOVAL.
 POSITIONING THE TURNSTILE FULLY INSIDE THE SECURE SIDE, ALLOW THE FENCE OVER INFILL TO BE DOWN TO THE WALKWAY HEIGHT
 FENCE MINIMUM HEIGHT 2.4M TO BE INSTALLED UP TO AND OVER THE TURNSTILE TO ACHIEVE SECURITY RATING SR3 ONLY.



ELEVATION VIEW



SIDE VIEW

OPTION-1 FENCE SHOWN WITH TURNSTILE INSTALLED FLUSH INSIDE
 OPTION-2 FENCE SHOWN WITH TURNSTILE INSTALLED FLUSH OUTSIDE

CONTROLS 400S-C1 PSU IN TOP CANOPY ONLY AS STANDARD USE METAL FLEX CONDUIT TO LOCKING HEAD
 CONCRETE PLINTH C27-C35 PAV1 OR EQUIVALENT TO THE ANTI DIG ON EXISTING FENCING

NOTE:
 THIS DESIGN LAYOUT HAS TIGHT GAPS BETWEEN ROTOR ARMS
 AND IS BASED ON THE REQUIREMENTS FOR SECURITY FENCELINE TURNSTILES.

MATERIAL		Eagle Automation Systems Ltd Focused on Protection and Security	
PROTECTIVE FINISH		STORES REF. BASED ON 491 - 430 STYLES	
TOLERANCES FOR DIMENSIONS		TITLE	
DIMS. SHOWN THUS	>449 ±1	SINGLE FULL HEIGHT SECURITY TURNSTILE	
DIMS. SHOWN THUS	1. ±0.4	SR3	
DIMS. SHOWN THUS	10 ±0.15	1491-203-HFA	
DIMS. SHOWN THUS	100 ±0.05	DRG.No.	
UNLESS OTHERWISE STATED		A3	
ALL DIMENSIONS IN MILLIMETRES		1491-203-HFA	
ISSUE	DATE	CHANGE NOTE	DRG.No.
DRAWN	MDK	CHECKED	1491-203-HFA
		CERTO.	1491-203-HFA
		SCALE	1491-203-HFA
		N.T.S	1491-203-HFA