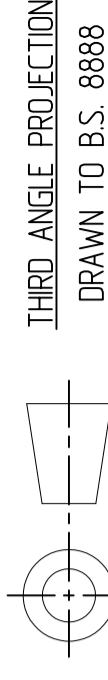


DRG.No.	1491-202-HF
USED ON	-

EAGLE AUTOMATION LIMITED
RESERVE THE RIGHT TO MODIFY
THE DESIGN WITHOUT NOTICE

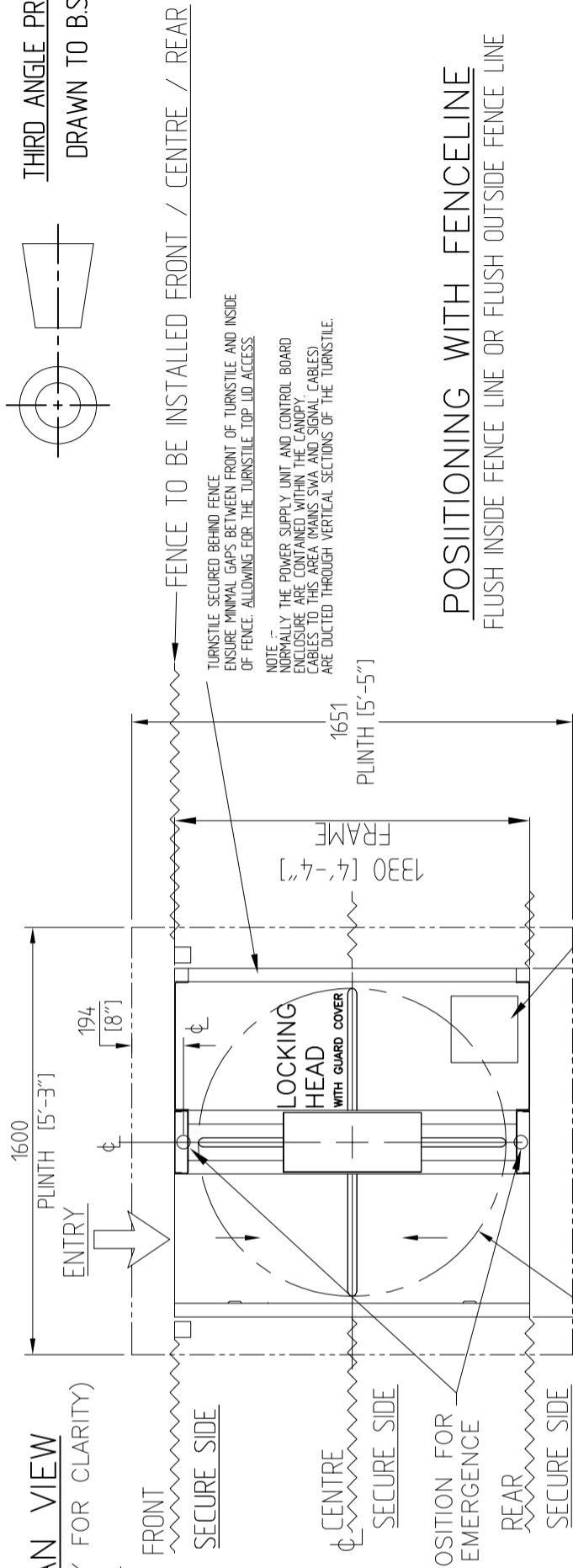
PLAN VIEW
(OMITTING CANOPY FOR CLARITY)
SELECTED HIDDEN DETAIL
OMITTED FOR CLARITY



THIRD ANGLE PROJECTION
DRAWN TO B.S. 8888

DESIGN RIGHTS

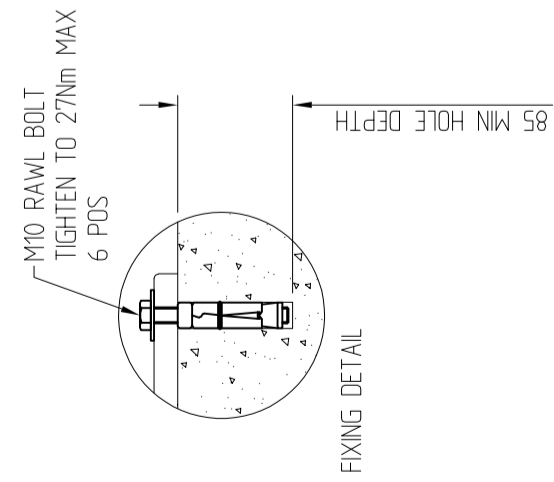
INTELLECTUAL PROPERTY OF EAGLE AUTOMATION SYSTEMS LIMITED
COPYRIGHT © NOT TO BE COPIED WITHOUT PERMISSION
WARNING - SOME EAGLE AUTOMATION LIMITED PRODUCTS ARE ALSO THE
SUBJECT OF PATENT PROTECTION



TURNSTILE SECURED BEHIND FENCE
ENSURE MINIMAL GAPS BETWEEN FRONT OF TURNSTILE AND INSIDE
OF FENCE, ALLOWING FOR THE TURNSTILE TOP LID ACCESS

NOTE
NORMALLY THE POWER SUPPLY UNIT AND CONTROL BOARD
ENCLOSURE ARE CONTAINED WITHIN THE CANOPY.
CABLES TO THIS AREA (MANS SWIA AND SIGNAL CABLES)
ARE DUCTED THROUGH VERTICAL SECTIONS OF THE TURNSTILE.

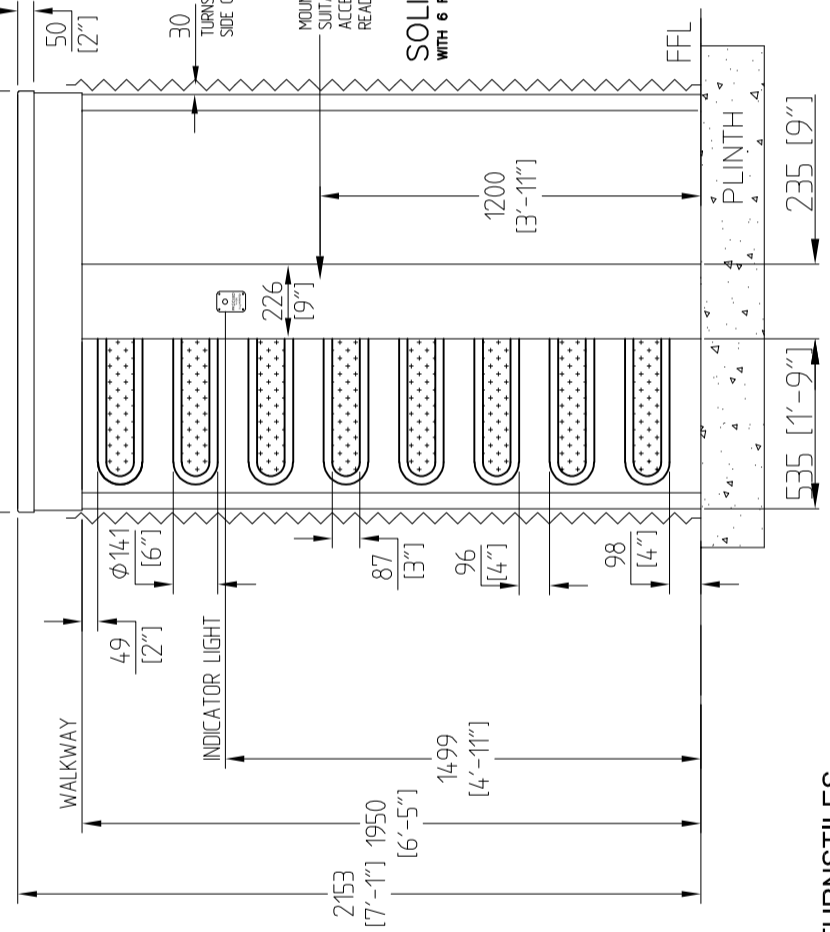
POSITIONING WITH FENCELINE
FLUSH INSIDE FENCE LINE OR FLUSH OUTSIDE FENCE LINE



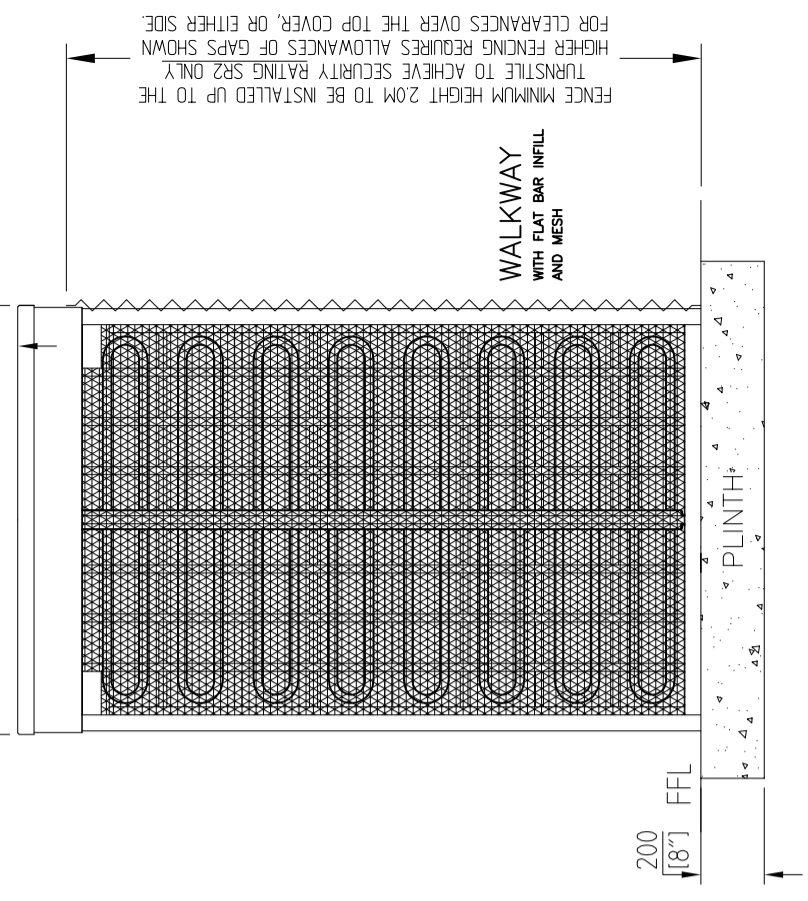
CONTROLS 400S-C1 PSU
IN TOP CANOPY AS STANDARD
OPTION TO MOVE OFF TURNSTILE FOR CONTROL,
ENSURE CABLES TO FEED THROUGH FRAMING

CONCRETE PLINTH
C27-C35 PAV1 OR EQUIVALENT TO
THE ANTI DIG ON EXISTING FENCING

ELEVATION VIEW



SIDE VIEW



FENCE MINIMUM HEIGHT 2.0M TO BE INSTALLED UP TO THE
TURNSTILE TO ACHIEVE SECURITY RATING SR2 ONLY
HIGHER FENCING REQUIRES ALLOWANCES OF GAPS SHOWN
FOR CLEARANCES OVER THE TOP COVER, OR EITHER SIDE

NOTE:
THIS DESIGN LAYOUT HAS TIGHT GAPS BETWEEN ROTOR ARMS
AND IS BASED ON THE REQUIREMENTS FOR SECURITY FENCELINE TURNSTILES.

MATERIAL		Eagle Automation Systems Ltd Focused on Protection and Security	
PROTECTIVE FINISH		STORES REF. BASED ON 491 - 430 STYLES	
TOLERANCES FOR DIMENSIONS		TITLE	
DIMS. SHOWN THUS >449 ±1		SINGLE FULL HEIGHT SECURITY TURNSTILE	
DIMS. SHOWN THUS 1 ±0.4		SR2	
DIMS. SHOWN THUS 10 ±0.15		SINGLE FULL HEIGHT SECURITY T/S WITH 'HOOPED BAR FILLED' ROTOR PADDLES	
DIMS. SHOWN THUS 100 ±0.05		DRG.No.	
UNLESS OTHERWISE STATED		1491-202-HF	
ALL DIMENSIONS IN MILLIMETRES		A3	
DRAWN	MDK	CHECKED	CERTO.
SCALE	N.T.S		

FAIL LOCKED ONLY WITH ENERGISED FREE SPIN AVAILABLE